



HYDRA COMPACT

2 MODELS

ELECTRONIC AND MECHANICAL

- Available from 3kW to 12kW
- 6 different configurations for installation
- Flanged electrical elements
- Ideal for condos, garages, additions, etc.
- Easy to install in limited spaces
- Terminal connections for thermostat and pump
- Standby function: Water is heated only on demand
- 208/240 Volts

THE SMALLEST BOILER ON
THE MARKET



**NEW
VERSION**



HYDRA COMPACT



Electronic control

- 4 pre-programmed operating modes : plinth, light, Castiron and mass
- Setpoint, water and outdoor temperature display
- Estimated electrical consumption display
- Double protection mechanical high limit
- Pump relay
- Circulator pump activated on heat demand, with off delay or continuous flow for temperature uniformity
- Modulated temperature and utilization of elements
- Outdoor temperature sensor
- Defect alarm indicated by a flashing backlight
- Pressure gauge
- Adjustable high limit aquastat
- Heating controls integrated with outdoor temperature

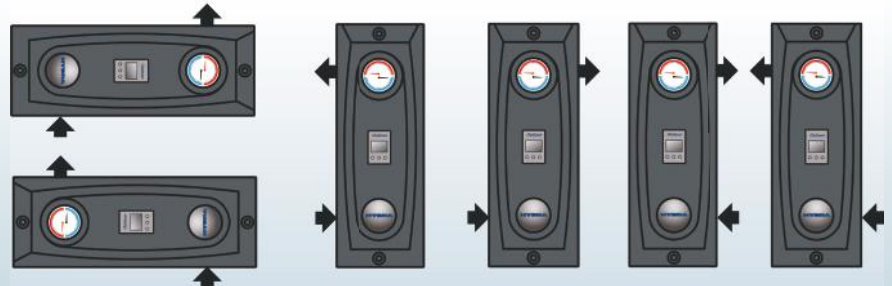
Electric consumption

12.5 amps = 3 kW 50.0 amps = 12 kW

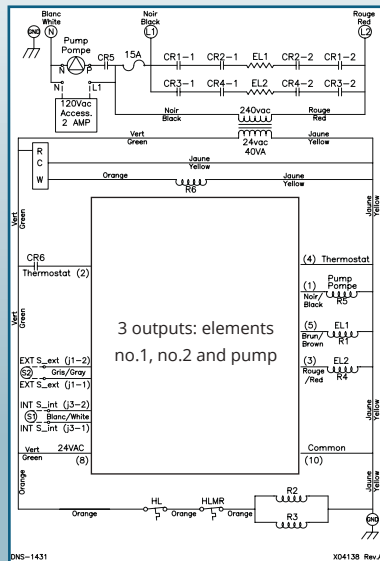
Dimensions (in inches)



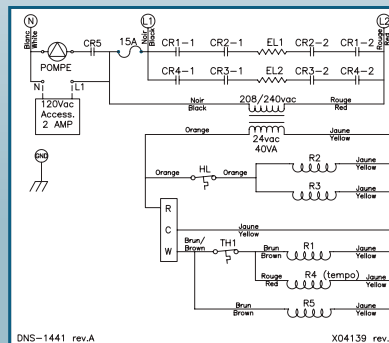
6 installation configurations



Electronic control electrical diagram



Mechanical control electrical diagram



Mechanical control by adjustable aquastat

- Double protection mechanical high limit
- Relay with timer card for a delay on the second element
- Combined gauge for pressure and temperature
- Pump relay



3400, boulevard Industriel
Sherbrooke, Québec
J1L 1V8 Canada

T 1.819.346.8493
SF 1.800.567.2733
F 1.819.346.8468
info@dettson.ca
www.dettson.ca